

New KJ LED

Innovative | Design | Performance | Ecological



 **FONTES DE PARIS**
ILLUMINATION DES VILLES DU MONDE



Registered design | Design Stéphane Chapelet

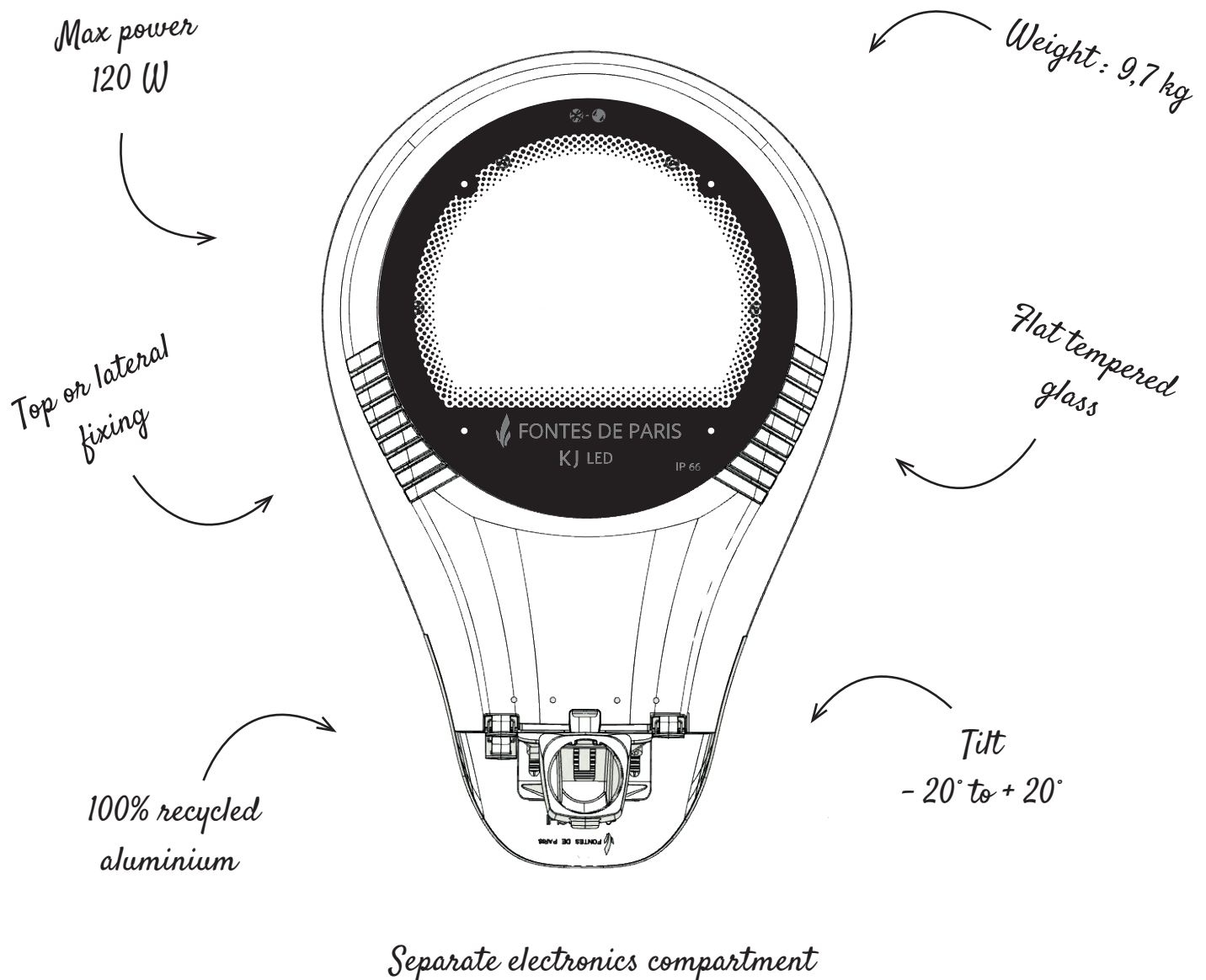
PRÉSENTATION

Developed in collaboration with the designer Stéphane Chapelet, KJLED proposes a decidedly innovative design while offering all the qualities of a performant, economical, and eco-friendly lighting. The luminaire can be equipped with up to 48 LED for a maximum power of 120 watts. Different lenses allow a solution for each traffic axis while reducing your energy spending.

The opening of the electronic compartment is discreet, ergonomic and with no tools, easing its installation and maintenance. The power supply compartment is entirely separated from the LED part. The luminaire is also designed to accept several presence detecting solutions, or "smart city" type modules.

The fixing can be top or lateral in association with the KJLED bracket.

The luminaire is compliant with the 27 December 2018 decree on light pollution.





TECHNICAL DESCRIPTIVE

- > Single size
- > 12-24-36-48 LED Nichia standard Zhaga with NTC
- > Colour temperature : 2200°K, 2700°K, 3000°K, 4000°K
- > Different photometry types available
- > 100% recycled injected aluminium casting
- > Powder-coated polyester with RAL of your choosing
- > Extra clear tempered glass IK08 (optionally IK10)
- > Class 1 or class 2 mounting
- > Mounting in 60 ø (ø 42 & 34 optional)
- > Eligible for energy saving certificates

COMPLIANCE (27/12/18 decree on light pollution)

- > ULR = 0% without tilting
- > ULR with a tilt of 20% < 4%
- > Flux code CIE N°3 > 95%
- > Intrusive light : optional flux blocker
- > Grounded light density determined by our technical office after lighting study

ECOLOGY

- > The body, hood and sleeve of the luminaire are made in 100% recycled cast aluminium which makes it one of the most eco-friendly luminaires.
- > We guarantee that no new extraction of bauxite mineral (main component of aluminium) has been performed for the fabrication of our luminaire.



KJ LED

INNOVATIVE
DESIGN
PERFORMANCE
ECOLOGICAL



KJLED represented here with its KJLED bracket available in different lengths.

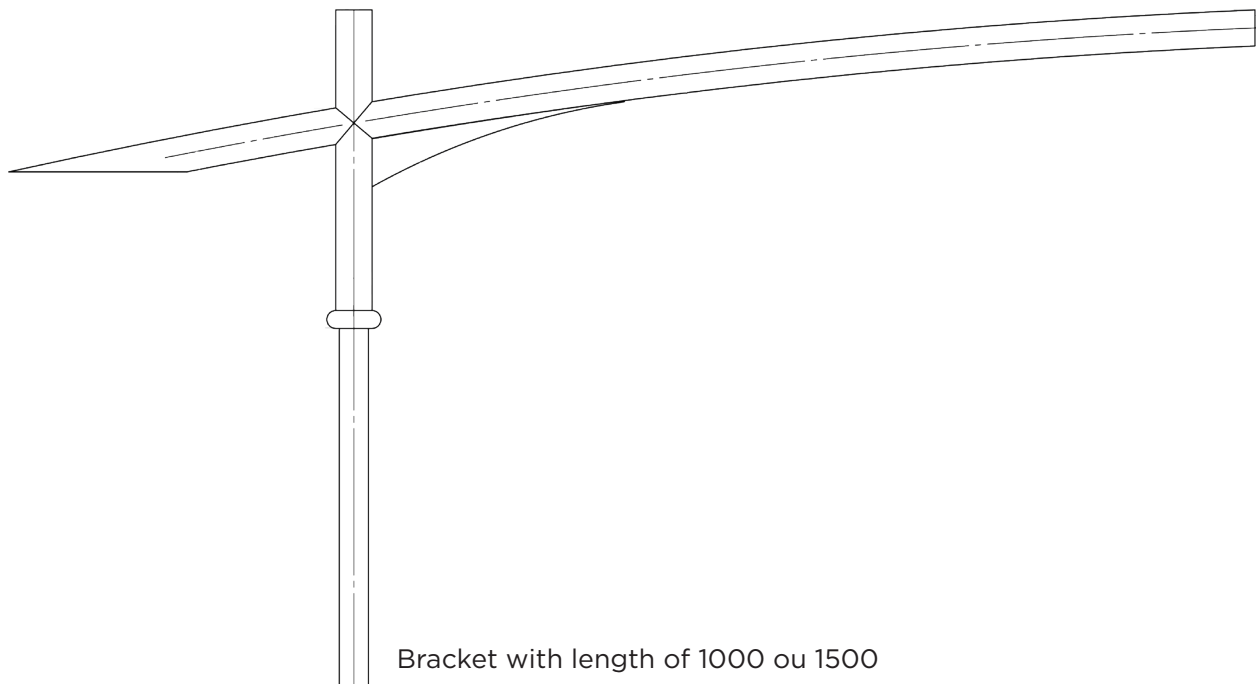
Our luminaire inserts itself perfectly in modern or historic sites, like here on the French Riviera.

POWER

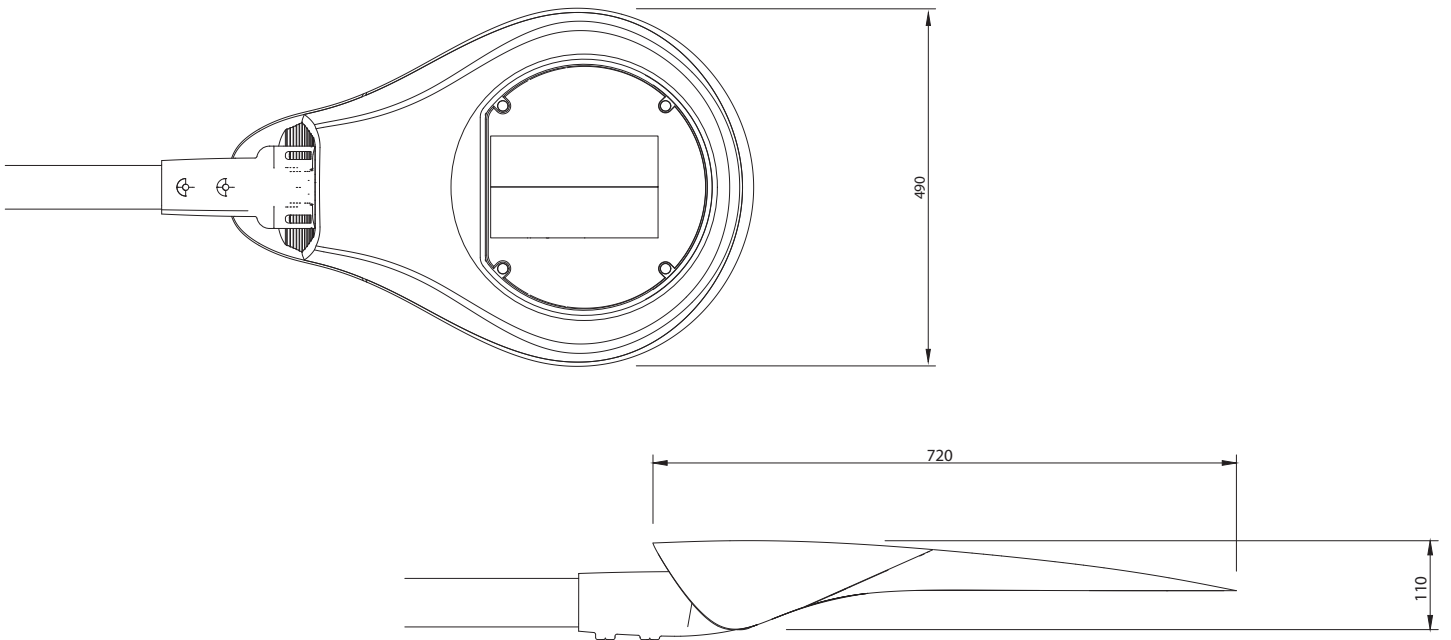
			2700 K	3000 K
N. LED	mA DRIVER	W TOT	lm OUT	lm OUT
12	350	12	1,544	1,645
12	500	18	2,140	2,280
12	600	22	2,520	2,685
12	700	26	2,887	3,076
24	350	25	3,088	3,290
24	500	36	4,281	4,561
24	600	44	5,040	5,370
24	700	52	5,774	6,152
36	350	37	4,632	4,704
36	500	54	6,421	6,521
36	600	66	7,560	7,678
36	700	78	8,661	8,796
48	350	50	6,176	6,272
48	500	73	8,561	8,694
48	600	88	10,079	10,237
48	700	104	11,548	11,728

Please contact us for other colour temperatures.

KJ LED BRACKET

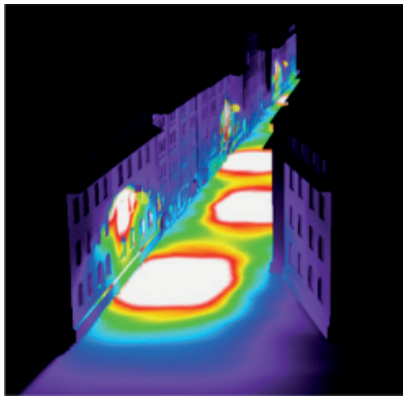


Bracket with length of 1000 ou 1500

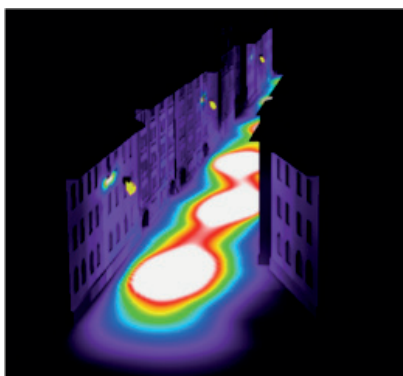
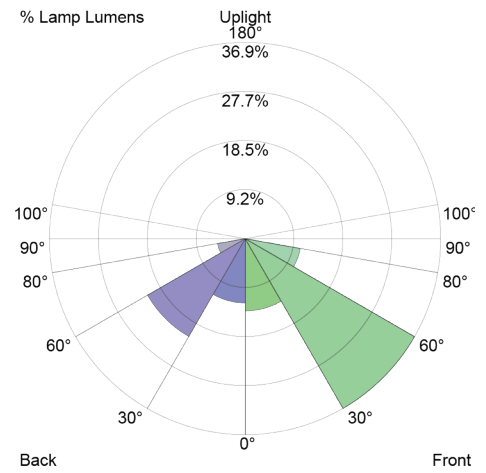


BACK FLUX STOPPER

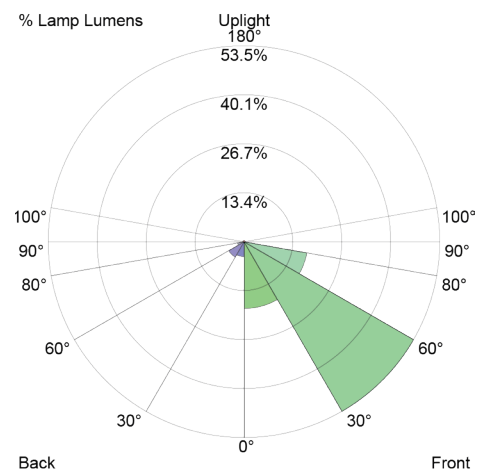
- > Flux shutter enabling blocking more than 95% of backwards flux.
- > Clip placement on the lens.
- > Compliant with the 27/12/18 decree.



Flux repartition with STD lenses and no flux stopper



Flux repartition with STD lenses and flux stopper





FONTES DE PARIS

ILLUMINATION DES VILLES DU MONDE

Zone industrielle - 10330 CHAVANGES

Tel : +33 (0)3 25 92 39 54

www.fontesdeparis.com